

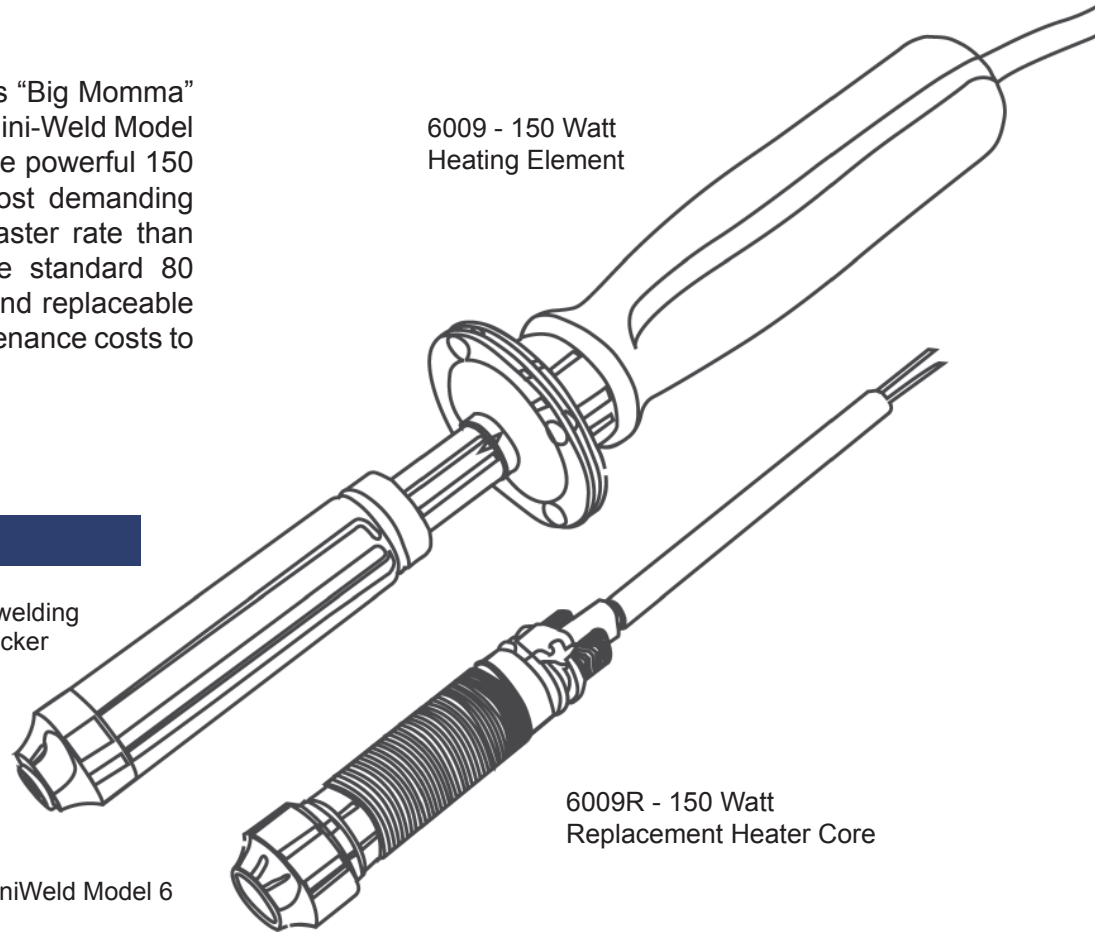
“Big Momma”

P/N: 6009 KIT

150 Watt Heating Element - Upgrade Kit

Urethane Supply Company's “Big Momma” is a sizable upgrade to the Mini-Weld Model 6 Airless Plastic Welder. The powerful 150 watt element allows the most demanding professional to weld at a faster rate than would be possible with the standard 80 watt element. Its long life and replaceable heater core help keep maintenance costs to a minimum.

6009 - 150 Watt
Heating Element



6009R - 150 Watt
Replacement Heater Core

Benefits:

- 150 watts of power makes welding high heat-sink materials quicker and easier by maintaining higher tip temperatures longer.
- Brass tip adapter for ultimate thermal conductivity from the heater coil to the tip.
- Easy installation into the MiniWeld Model 6 Welder control box.
- USA manufactured, long life, high quality element.
- Replaceable element core available at a fraction of the cost of the entire kit.
- Components available individually.
- Sturdy handle design is comfortable to hold.
- Select plug or Model 6 terminals.

Kit Contents:

- 150 Watt heating element with replaceable heater core.
- “Big Momma” Welder Stand
- 6009TA Tip Adapter



Customer Support:
PH: 800-633-3047
Fax: 800-824-0087
www.urethanesupply.com